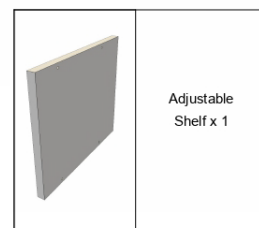
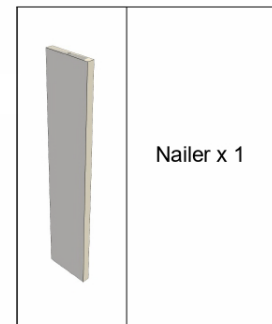
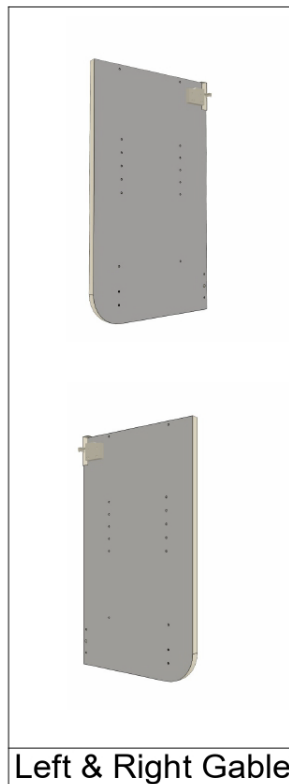
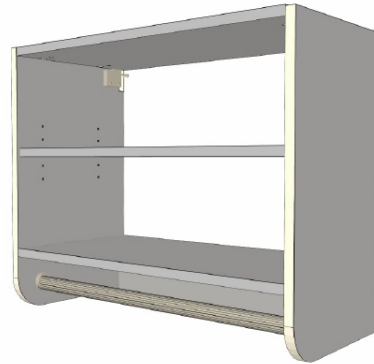
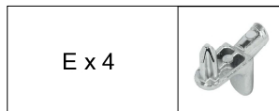
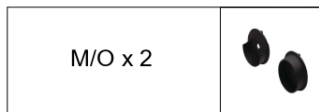
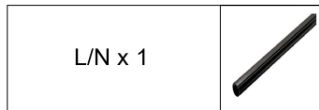
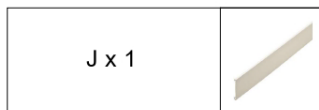
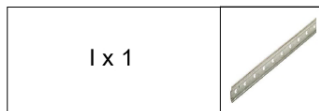
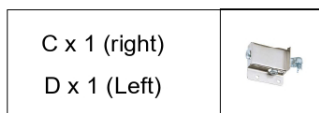
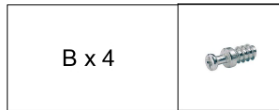


Long Hang (LH) Included in Closet Models: Basic 1,4,5,6,10 and Standard 1



ORDER OF ASSEMBLY/STEPS

Starting Off: Begin by laying both gables face up on a piece of cardboard or cloth. This is a smart move to avoid any scratches or damage to the unit.

Attaching Screws to Gables: Now, grab Screw B and attach it to both the left and right gables. You can see exactly how to do this in Diagram B.

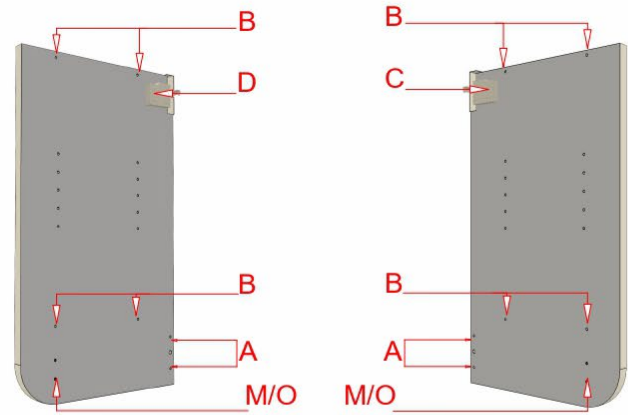
Attaching Additional Parts: Next, take parts M/O, C, and D, and using Screw H, attach them to both the left and right gables. Diagram B will show you the way!

Working on the Nailer: Choose one of the gables and turn its front edge towards the floor. Then, use Screw A to attach the Nailer in place.

Assembling the Top Shelf: On the same gable, lay it down again and now it's time to attach the Top, Fixed Shelf. Do this using Screw B.

What's Next: Once you've successfully assembled all the cabinets for this room, take a look at the installation drawing. It, along with the instructions, will guide you on what to do next.

Diagram B



Note: the **closet rod and adjustable shelf** should be installed after the unit is affixed to the wall.

